

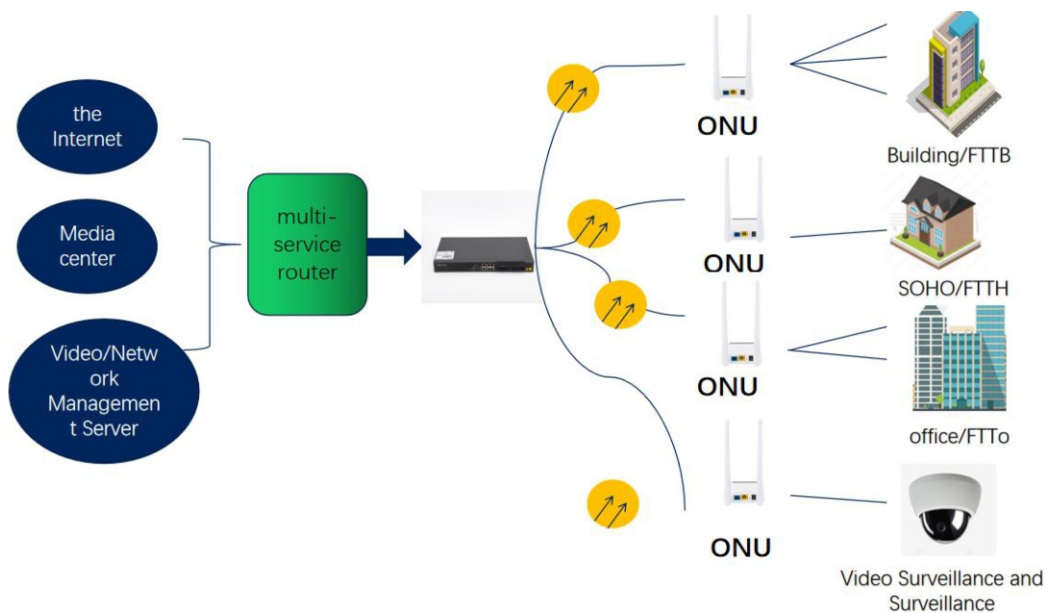
## XPON 1GE WIFI ONU??

ST-XP120



### Key Features

- Support device-based rate limitation and bandwidth control
- In compliant with IEEE802.3ah and ITU-T G.984.x Standard
- Wi-Fi series meet 802.11 n,b,g technical standards
- Up to 20KM transmission Distance
- Support data encryption, group broadcasting, port Vlan separation,etc.
- Support Dynamic Bandwidth Allocation (DBA)
- Support ONU auto discovery,Link detection,remote upgrade of software,
- Support port VLAN configuration
- Support power-off alarm function easy for link problem detection
- Support broadcasting storm resistance function.
- Support port binding
- Support port forwarding
- Support ACL to configure data packet filter flexibly
- Specialized design for system breakdown prevention to maintain stable system
- Support software online upgrading
- Support TR069 for ACS(Auto Config Server)
- Support PPPoE,DHCP Server,NAT



**Technical Parameter :**

Module	Parameter
User interface	1*10,100,1000M RJ45 2.4GWIFI
PON	EPON&GPON mode adaptive Interface Type:SC-UPC,SC-APC T transmission distance: 20KM  GPON: upstream 1.25Gbps,downstream 2.5Gbps Transmitting optical power: 0.5-5dBm Optical receive sensitivity:-7-28dBm  EPON: upstream 1.25Gbps,downstream 1.25Gbps Transmitting optical power: 0-4dBm Optical receiver sensitivity:>-7--27dBm
Ethernet	1*10,100,1000M auto-negotiation Full, half duplex mode RJ45 connector Auto MDI, MDI-X 100m distance
Size	105mm(L) x85mm(W) x25mm(H)
Environment	Operating temperature:0°C~60°C Operating humidity: 10%~85% non-condensing Storage temperature:-40°C~80°C Storage humidity: 5%~95% non-condensing
Power supply	12V,0.5A DC power interface size:2.1mm,5.5mm
Power	<5W
Man	Web/TELNET/TR069/OAM/OMCI

## Product Interfaces and Indicators Definitions

Indicator			Indicator
1	POW	Power Status	On: The ONU is power on Off: The ONU is Power off
2	PON	ONU Register	On: Success to register to OLT Blinking: In process of registering to OLT Off: Fail to register to OLT
3	LOS	Optical Signals	On: Optical power is abnormal Off: Optical in normal
4	LAN	LAN Past Status	On: Ethernet connection is normal Blinking: Data is being transmitted Off: Ethernet connection is not set up
5	2.4G	WIFI	Blinking: Data is being transmitted On: Wi-Fi function Opens Off: Wi-Fi function closes



### NOTICE

SUMICO reserves the right to change specifications without notice. The information in this manual, though carefully compiled, should not be regarded as a guarantee of product characteristics. SUMICO is only responsible for the extent specified in the sales and delivery terms. The copy and distribution of the attached documents and software and the use of its contents shall be authorized in writing by SUMICO

### SUMICO

Tarvij Sanat Sumi Parsian Co. LTD  
No.1, 4th Narges Alley, Azadi Bolv. Shams-Abad Industry Park,  
Tehran-Qom Highway, Hasan Abad Fashafooye, Tehran, Iran  
Tel: +98 21 43614000 Fax: +98 21 43614300  
E-Mail: info@sumico.ir PC: 1834179535

